



CAT MATE®

36002/1118

Pet Mate Ltd. guarantees your product for a period of 3 years from the date of purchase, subject to the registration of your purchase details on our website www.pet-mate.com within 14 days of purchase. (If you do not have access to a computer, please send details of your purchase with copy of receipt along with your name and address.) In the event of a fault developing contact Pet Mate customer services for a returns authorisation number. The guarantee is limited to any defect arising due to faulty materials or manufacture. Any defective item will be repaired or replaced free of charge at the manufacturer's discretion, provided that the defect has not been caused by neglect, misuse or normal wear and tear. Your statutory rights are not affected.

D GARANTIE

Pet Mate Ltd. gewährt auf Ihr Produkt eine Garantie von 3 Jahren ab dem Kaufdatum, unter der Voraussetzung, dass die Registrierung Ihres Produkts auf unserer Website www.pet-mate.com innerhalb von 14 Tagen des Kaufdatums erfolgt ist. (Wenn Sie keinen entsprechenden Computerzugang haben, senden Sie uns bitte Ihre Kaufangaben zusammen mit einer Kopie Ihres Einkaufsbelegs und Angabe Ihres Namens und Ihrer Adresse.) Sollte an Ihrem Produkt eine Störung auftreten, so kontaktieren Sie bitte den Kundendienst von Pet Mate, damit wir Ihnen eine Rücksendungs-Genehmigungsnummer übermitteln können. Die Garantie ist auf Mängel beschränkt, die auf fehlerhaftes Material oder Produktionsfehler zurückzuführen sind. Fehlerhafte Artikel werden nach Ermessen des Herstellers kostenlos repariert oder ersetzt, vorausgesetzt, dass der Defekt nicht durch ein Missgeschick, Vernachlässigung, falsche Bedienung oder normale Abnutzung verursacht wurde. Ihre gesetzlichen Rechte sind nicht betroffen.

F GARANTIE

Pet Mate Ltd garantit votre produit pour une période de 3 ans à compter de la date d'achat, sous réserve d'enregistrement des détails de votre achat sur notre site www.pet-mate.com dans les 14 jours suivant l'achat. (Si vous n'avez pas accès à un ordinateur, veuillez envoyer les détails de votre achat avec une copie du reçu, accompagnée de votre nom et de votre adresse.) En cas de panne/mauvais fonctionnement, contactez Pet Mate pour obtenir un numéro d'autorisation de retour. Les articles défectueux seront remplacés ou réparés gratuitement à la discrétion du fabricant, sous réserve que le mauvais fonctionnement ne soit pas le résultat d'un usage inadéquat ou abusif ou d'une usure normale. Ces conditions n'affectent pas vos droits statutaires.

E GARANTÍA

Pet Mate Ltd. garantiza su producto durante un período de 3 años a partir de la fecha de compra, siempre y cuando haya registrado los detalles de su compra en nuestro sitio web, www.pet-mate.com, durante los 14 días posteriores a la fecha de compra. (Si no tuviera acceso a un ordenador, por favor, envíe los detalles de su compra junto con una copia del recibo, su nombre y dirección.) En caso de producirse un fallo, póngase en contacto con Servicio al Cliente de Pet Mate para obtener un número de autorización de devolución. La garantía se limita a aquellos fallos que se produzcan como consecuencia de materiales o fabricación defectuosos. Todo artículo defectuoso se reparará o reemplazará a la discreción del fabricante, siempre y cuando el defecto no haya sido causado por negligencia, uso indebido o el uso y desgaste normales. Sus derechos estatutarios no resultarán afectados.

NL GARANTIE

Pet Mate Ltd. geeft drie jaar garantie op uw product, vanaf de koopdatum en afhankelijk van de registratie binnen 14 dagen na aankoop van uw koopgegevens op onze website www.pet-mate.com. (Als u geen toegang tot een computer hebt, wilt u dan de gegevens over uw aanschaf samen met een kopie van uw koopbewijs inclusief uw naam en adres opsturen.) Mocht zich een defect voordoen, neemt u dan contact op met de klantendienst van Pet Mate en u ontvangt een autoriseringsnummer voor retour. Deze garantie betreft slechts defecten ten gevolge van materiaal- of fabrieksfout. Elk defect onderdeel wordt gratis gerepareerd of vervangen, dit ter beoordeling van de fabrikant, en op voorwaarde dat het defect niet ontstaan is door onzorgvuldigheid, onjuist gebruik of door normale slijtage. Dit heeft geen effect op uw vastgelegde rechten.

INSTRUCTIONS

Betriebsanleitung · Mode d'emploi · Instrucciones · Instructies

Ref. 360

MICROCHIP CAT FLAP

D MIKROCHIP KATZENKLAPPE

F CHATIERE MICROPUCE

E GATERA DE MICROCHIP

NL MICROCHIP KATTENDEUR



www.pet-mate.com



+44 (0)1932 700 001
N America (936) 760 4333

© **PET MATE Ltd** · Lyon Road · Hersham · Surrey · KT12 3PU · England
N.America only: Ani Mate · 104A Longview Street · Conroe · Texas 77301

FCC WARNING

This equipment has been tested and found to comply with the limits for a Class B digital device, pursuant to part 15 of the FCC Rules. These limits are designed to provide reasonable protection against harmful interference in a residential installation. This equipment generates, uses and can radiate radio frequency energy and, if not installed and used in accordance with the instructions, may cause harmful interference to radio communications. However, there is no guarantee that interference will not occur in a particular installation. If this equipment does cause harmful interference to radio or television reception, which can be determined by turning the equipment off and on, the user is encouraged to try to correct the interference by one or more of the following measures:

- Reorient or relocate the receiving antenna.
- Increase the separation between the equipment and receiver.
- Connect the equipment into an outlet on a circuit different from that to which the receiver is connected.
- Consult the dealer or an experienced radio/TV technician for help.

Caution: Any changes or modifications to this device not explicitly approved by manufacturer could void your authority to operate this equipment.

This device complies with part 15 of the FCC Rules. Operation is subject to the following two conditions: (1) This device may not cause harmful interference, and (2) this device must accept any interference received, including interference that may cause undesired operation.

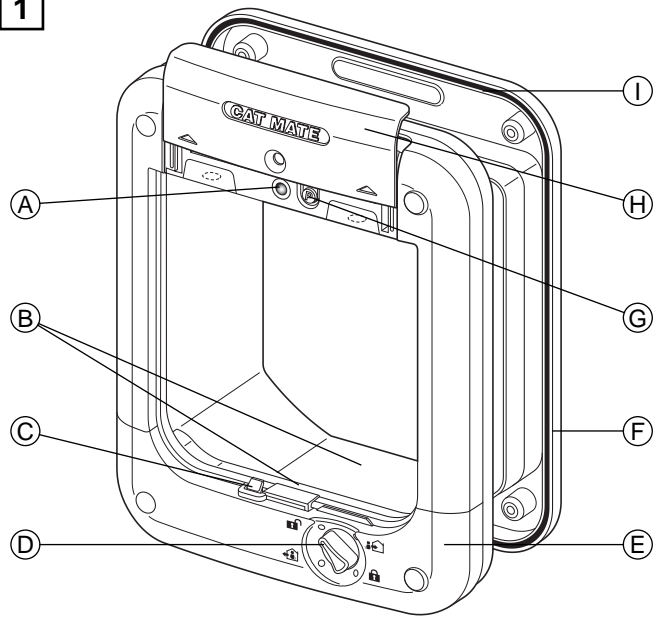


Hereby, Pet Mate Ltd., declares that this product is in compliance with the essential requirements and other relevant provisions of EU Directives. All Declarations of Conformity (DoC) may be viewed at www.pet-mate.com/eudoc.



IMPORTANT: Dispose of damaged/faulty/end-of-life products in accordance with locally applicable regulations for your country.
EU: Refer to Terms and Conditions section *EU Waste Electrical and Electronic Equipment (WEEE) Directive* on www.pet-mate.com for more information.

1



A. LED

B. Tunnel

C. Catch

D. Rotary 4 way lock

E. Interior frame

F. Exterior frame

G. PROGRAM button

H. Battery Cover

I. Seal

D

A. LED

B. Tunnel

C. Arretierung

D. 4-Wege-
Drehverriegelung

E. Innenrahmen

F. Außenrahmen

G. PROGRAMMIER-
TASTE

H. Batteriedeckel

I. Dichtung

F

A. Diode

B. Tunnel

C. Verrou

D. Verrouillage rotatif
à 4 positions

E. Cadre intérieur

F. Cadre extérieur

G. Touche
« PROGRAM »H. Couvercle de la
pile

I. Joint

E

A. LED

B. Túnel

C. Pestillo

D. Cerrojo rotativo
de 4 posiciones

E. Marco interior

F. Marco exterior

G. Botón
PROGRAM

H. Cubierta de pilas

I. Burlete

NL

A. LED

B. Tunnel

C. Slot

D. Draaiknop met
4 standen

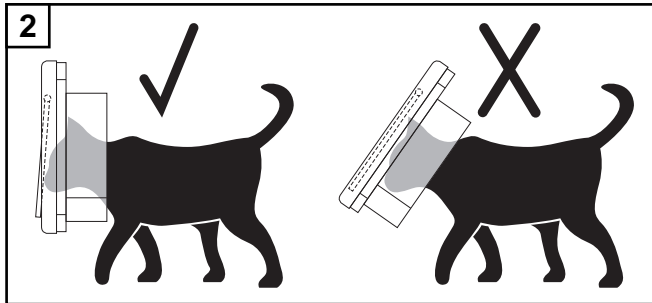
E. Binnenframe

F. Buitenframe

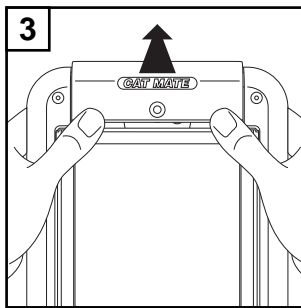
G. PROGRAMMEER-
KNOPH. Dekplaatje
batterijen

I. Sluitring

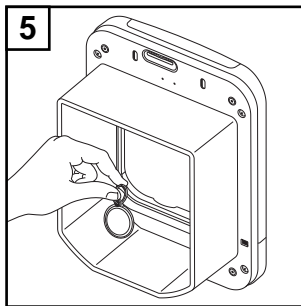
2



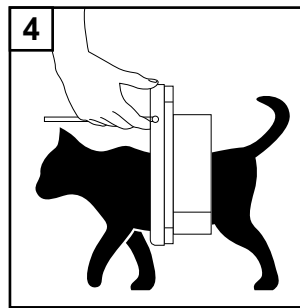
3



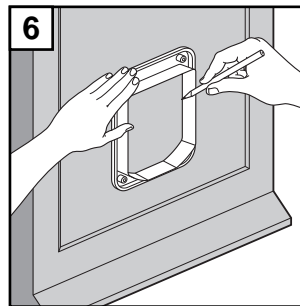
5



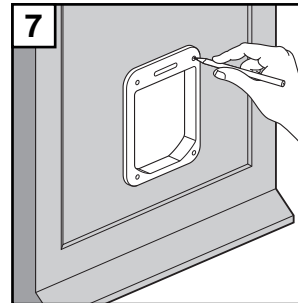
4



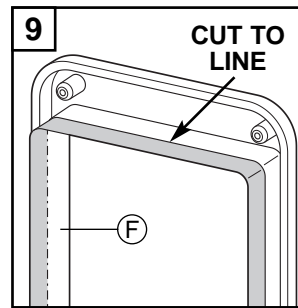
6



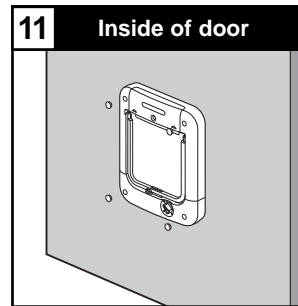
7



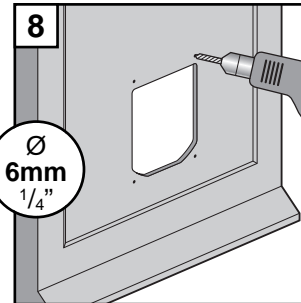
9



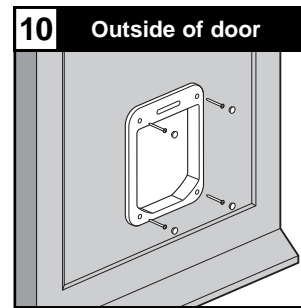
11



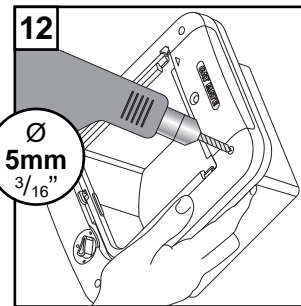
8



10



12



IMPORTANT SAFETY INSTRUCTIONS

- Read all instructions before installing or using this product.
- Register your purchase on-line at www.pet-mate.com (see guarantee).
- Do not allow children to play with this product.
- Inspect product regularly for correct operation and damage. Do not use if in doubt.
- This product is designed for use with pets only, as described in these instructions.
- The locking system of this pet door is not intended as a security device.
- This pet door is not a fire resistant door and must not be used where there is a risk from fire spread.
- The installer of this pet door is responsible for complying with all relevant building regulations.
- During installation of this pet door take appropriate care. Follow safety instructions for all tools and wear appropriate personal protective equipment.
- Dispose of all packaging material properly. *NOTE: Plastic bags could cause suffocation - keep away from children and animals.*

SAVE THESE INSTRUCTIONS

IMPORTANT:

- Do not cut tunnel (B, Fig. 1) of cat flap.
- To check that your cat's microchip is correctly positioned and functioning, we strongly recommend you program the cat flap for all your cats before installation (see Section 3). Then check the cat's operates the catch (C, Fig. 1) when the cat's head is pushed gently against the flap as shown in Fig. 2.
- For UPVC / metal doors thicker than 35mm (1³/₈"") use a Cat Mate Cat Flap Adapter Kit (Ref. 361).
- For UPVC / metal doors it is essential to retune the cat flap after fitting (see Section 8).

1. Introduction

Thank you for choosing the Cat Mate Microchip Cat Flap.

The Cat Mate Microchip Cat Flap allows entry for up to 30 cats into your property. It also allows you to control the exit of all your pets using a 4 way lock.

This cat flap is suitable for all popular microchips. Alternatively it may be operated by a Cat Mate I.D. Disc (available separately). You may wish to use an I.D. Disc for cats without a microchip or in the event that your cat's microchip is faulty or poorly positioned.

2. Fitting the Batteries

- 2.1 Remove the battery cover by pushing the battery cover upwards (see Fig. 3).
- 2.2 Insert 4 x AA (R6) batteries using the orientation symbols marked on the inside of the battery compartment. Partially replace battery cover to leave PROGRAM button (G, Fig. 1) exposed for programming.
- 2.3 The cat flap will self check for up to 30 seconds and then the flap is ready to program.

All popular batteries can be used including rechargeable batteries, but the battery warning (Section 6) will only work correctly with alkaline batteries. Good quality alkaline batteries should last approximately 12 months (depending on number of cats and usage). You **MUST NOT** use lithium batteries.

3. Programming

Program your cat's microchip or I.D. Disc(s) as follows:

3.1 Press and hold the PROGRAM button (G, Fig. 1) for 5 seconds until the LED (A) illuminates. Wait a minimum of 10 seconds.

3.2 To program your cat's microchip, encourage your cat to slowly pass through the tunnel by holding the flap open as shown in Fig. 4 after checking the rotary 4 way lock (D) is set to IN & OUT. To program an I.D. Disc, place in tunnel opening as shown in Fig. 5.

3.3 When programmed, the LED will flash.





3.4 Press the 'PROGRAM' button to save the setting.

For additional cats, up to a maximum of 30, repeat steps 3.1 to 3.4.

NOTE: If you attempt to program more than 30 microchips / I.D. Discs, the LED will flash. If this occurs perform a FACTORY RESET (Section 7) and reprogram microchips / I.D. Discs in current use.

4. Access Options

Once your cat(s) microchip(s) / I.D. Disc(s) are programmed, the access options available with the rotary 4 way lock are:

-  **In & Out** Your cat(s) can come in and out of the flap
-  **In Only** Your cat(s) can come in through the flap but cannot leave through the flap
-  **Out Only** Cat(s) can go out through the flap but cannot enter through the flap
-  **Locked** Cat(s) cannot use the flap

5. Training Your Cat to Use the Cat Flap or if Your Cat Has Lost its I.D. Disc

It may take a little time for your cat to get used to its new cat flap. To help your cat get used to entering and exiting the flap, the flap can be set to TRAINING MODE as follows:

- 5.1 Remove one battery for a minimum of 2 minutes.
- 5.2 Replace battery and wait until interior lock (C) drops after approximately 5 seconds.
- 5.3 Remove battery within 5 seconds before lock is reactivated and replace battery cover.

Please be aware that in TRAINING MODE your cat flap will allow access for other animals.

To exit the TRAINING MODE, simply reinstall all batteries.

NOTE: We do NOT recommend that cats, particularly kittens, are left alone to use their cat flap until you are satisfied that they are completely familiar with its operation.

6. Battery Replacement

When the LED flashes every 30 seconds, alkaline batteries should be replaced (See Section 2).

Please note, after fitting new batteries the Battery warning may take up to 15 minutes to disappear.

7. Factory Reset

To erase all programmed microchips / I.D. Discs, press and hold the 'PROGRAM' button for 60 seconds. After a further 30 seconds you may re-programme microchip(s) / I.D. Disc(s) (See Section 3).

8. Fitting Instructions (See Figs. 6 to 10)

IMPORTANT:

- **Do not cut tunnel (B, Fig. 1) of cat flap.**
- **To check that your cat's microchip is correctly positioned and functioning, we strongly recommend you program the cat flap for all your cats before installation (See Section 3). Then check the cat's microchip operates the catch (C, Fig. 1) when the cat's head is pushed gently against the flap as shown in Fig. 2.**
- **For UPVC / metal doors thicker than 35mm (1 3/8") use a Cat Mate Cat Flap Adapter Kit (Ref. 361).**
- **For UPVC / metal doors it is essential to retune the cat flap after fitting (see below).**

UPVC / Metal Doors

Doors constructed with metal panels may reduce the range of the microchip reader. You may test for metal panels by drilling a small trial hole in the middle of the intended cat flap location.

For correct operation it is important to ensure correct cut out size is made.

For UPVC / metal panels thicker than 35mm (1 3/8") use a Cat Mate UPVC / Metal Door Adapter Kit (available separately).

For UPVC / metal panels up to 35mm (1 3/8") thick proceed as for Wooden Doors below.

After fitting, ensure the flap is tuned to the metal panel by pressing the PROGRAM button (G) for 5 seconds until LED (A) lights. After 10 seconds press the PROGRAM button again to complete retuning.

Wooden Doors

8.1 Place the exterior frame (frame without swing flap) in desired position on panel and draw round the inside of the tunnel section as shown in Fig. 6. We recommend the bottom of the hole is approximately level with your pet's stomach.

8.2 Use an electric jigsaw to cut 5mm (3/16") **outside** of drawn line. Be careful to cut hole square to the door, particularly with thicker doors. Ensure frames are free-fitting in hole.

8.3 Determine thickness of door panel.

8.4 For door panels 3mm (1/8") - 25mm (1") thick:

8.4.1 Position exterior frame on outside of door and mark four screw positions (Fig. 7).

8.4.2 Remove frame and carefully drill screw clearance holes square to panel at 6mm (1/4") diameter (Fig. 8).

8.4.3 For panels less than 17mm (5/8") thick, carefully cut excess liner from **exterior** frame (F) as shown in Fig. 9 with a hacksaw or plastic cutting disc.

8.4.4 Fit seal (I) to exterior frame. Position exterior frame on outside of door. Screw interior frame to it by using 37mm (1 1/2") screws. Finally, fit screw caps (Fig. 10 and 11).

8.5 For door panels 25mm (1") + thick:

8.5.1 Carefully drill out four holes in interior frame to allow close clearance on screws (recommended drill 5mm (3/16") diameter) as shown in Fig. 12.

8.5.2 Fit seal (I) to exterior frame. Screw exterior frame to outside of door using 13mm (1/2") screws.

8.5.3 Screw interior frame to inside of door using 22mm (7/8") screws. Finally, fit screw caps.

Walls / Glass Panels

For easy installation you will require an adapter kit available from your cat flap supplier or direct from Pet Mate (Product Ref. 361).

9. Troubleshooting

9.1 Cat's microchip will not program

- Your cat's microchip might be faulty or poorly positioned. Contact Pet Mate Customer Services or use a Cat Mate I.D. Disc.

9.2 Red LED (A) flashing

- 1 flash every 30 seconds indicates need to replace alkaline batteries.

9.3 Flap does not open in response to programmed microchip or I.D. Disc

- Check catch (C, Fig. 1) moves freely up and down when cat's head is pushed gently against the flap as shown in Fig. 2.
- Check 4 WAY lock is set to permit access in the chosen direction.
- Check I.D. Disc, if used, is correctly fitted to cat's collar.
- If possible, try operation with another programmed microchip / I.D. Disc to ascertain if there is a fault with a particular microchip / I.D. Disc.
- For UPVC / metal panels over 35mm (1 3/8") thick check cat flap has been fitted correctly with adapter kit and circular cut out.
- For UPVC / metal panels check cat flap has been retuned after fitting (See Section 8).
- Check batteries are correctly orientated and not in need of replacement (See Section 6).
- Check cat flap is mounted at correct height (See Section 8).
- If all above fails, remove one battery and wait a minimum of 1 hour. Refit battery and then check if flap functions correctly. If not perform a FACTORY RESET (See Section 7) before reprogramming (See Section 3).
- It is possible that your cat has a 'low power' microchip and the flap requires setting to low power. The cat flap is supplied to suit the vast majority of standard microchips.

To change from standard microchip setting to low power setting please contact:

**Pet Mate Customer Services on
+44 (0)1932 700 001 - N America (936) 760 4333
or email info@pet-mate.com**

D

WICHTIGE SICHERHEITSANWEISUNGEN

- Bitte lesen Sie vor dem Einbau oder der Verwendung dieses Produkts sämtliche Anweisungen.
- Registrieren Sie Ihr Produkt online unter www.pet-mate.com (siehe Garantie).
- Lassen Sie keine Kinder mit diesem Produkt spielen.
- Prüfen Sie das Produkt regelmäßig auf ordnungsgemäßen Betrieb und mögliche Anzeichen von Beschädigung. Im Zweifelsfall soll es nicht verwendet werden.
- Dieses Produkt ist nur geeignet zur Verwendung mit Haustieren und nur wie in der vorliegenden Bedienungsanleitung beschrieben.
- Das Verriegelungssystem dieser Haustiertür ist nicht zur Verwendung als Sicherheitsvorrichtung konzipiert.
- Diese Haustiertür ist keine Brandschutztür und darf nicht verwendet werden, wo Gefahr zur Brandausbreitung besteht.
- Der Installierer dieser Haustiertür trägt die Verantwortung für die Einhaltung aller zutreffenden Bauvorschriften.
- Der Einbau dieser Haustiertür soll mit entsprechender Sorgfalt vorgenommen werden. Dabei sollen die Sicherheitsanweisungen für die Verwendung aller Werkzeuge befolgt und entsprechende persönliche Schutzausrüstung getragen werden.
- Entsorgen Sie alle Verpackungsmaterialien ordnungsgemäß. *HINWEIS: Plastikbeutel können Erstickungsgefahren verursachen und müssen außer Reichweite von Kindern und Tieren gehalten werden.*

BITTE DIESE ANWEISUNGEN AUFBEWAHREN



Pet Mate Ltd. erklärt, dass dieses Produkt den grundlegenden Anforderungen und anderen zutreffenden Bestimmungen von EU-Richtlinien entspricht. Alle Konformitätserklärungen können unter www.pet-mate.com/eudoc aufgerufen werden.



WICHTIG: Beschädigte, fehlerhafte Produkte und Altprodukte müssen in Übereinstimmung mit den im Verwendungsland geltenden örtlichen Bestimmungen entsorgt werden.
EU: Weitere Informationen dazu können in den Allgemeinen Geschäftsbedingungen im Abschnitt zur EU-Richtlinie über Elektro- und Elektronik-Altgeräte (WEEE-Richtlinie) unter www.pet-mate.com aufgerufen werden.

WICHTIG:

- Die Auskleidung der Katzenklappe (B, Abb. 1) nicht beschneiden.
- Um sich zu vergewissern, dass der Mikrochip Ihrer Katze(n) richtig positioniert ist und korrekt funktioniert, empfehlen wir dringend, die Katzenklappe vor der Installation für alle Ihre Katzen zu programmieren (s. Abschnitt 3). Dann überprüfen, dass der Mikrochip Ihrer Katze die Arretierung bewirkt (C, Abb. 1), wenn der Kopf der Katze sanft auf die Klappe gedrückt wird, wie in Abb. 2 gezeigt.
- Für UPVC/Metall-Türen mit einer Dicke von über 35mm muss ein Cat Mate Katzenklappen-Adapter-Set (Ref. 361) verwendet werden.
- Bei UPVC/Metall-Türen ist es unbedingt erforderlich, nach erfolgter Montage die Katzenklappe neu abzugleichen (siehe Abschnitt 8).

1. Einführung

Vielen Dank dafür, dass Sie sich für den Kauf der Cat Mate Mikrochip Katzenklappe entschieden haben.

Die Cat Mate Mikrochip Katzenklappe gestattet den Zutritt von bis zu 30 Katzen. Sie ermöglicht Ihnen auch die Austrittskontrolle aller Ihrer Haustiere mittels 4-Wege-Verriegelung.

Diese Katzenklappe ist für alle gängigen Mikrochips geeignet. Sie kann auch mit einer Cat Mate I.D.-Marke (separat erhältlich) betätigt werden. Eine I.D.-Marke kann für Katzen ohne Mikrochip verwendet werden, oder wenn der Mikrochip Ihrer Katze defekt ist oder nicht gut positioniert ist.

2. Einlegen der Batterien

- 2.1 Batteriedeckel abnehmen, indem dieser nach oben geschoben wird (siehe Abb. 3).
- 2.2 Vier AA (R6) Batterien so einlegen, wie von den im Innern des Batteriefachs markierten Symbolen angezeigt. Den Batteriedeckel teilweise nun so einsetzen, dass die PROGRAMMIERTASTE (G, Abb. 1) zum Programmieren erreichbar bleibt.
- 2.3 Die Katzenklappe prüft bis zu 30 Sekunden lang eigentätig ihre Funktion. Die Klappe ist zum Programmieren bereit.

Fast alle handelsüblichen Batterien einschließlich aufladbare Batterien können verwendet werden, doch funktioniert die Entladungswarnung (Abschnitt 6) nur bei Verwendung von Alkali-Mangan-Batterien. Alkali-Mangan-Batterien von guter Qualität halten im Normalbetrieb ungefähr 12 Monate (wobei ihre tatsächliche Betriebsdauer nach der Zahl von Katzen und Klappenbetätigungen schwankt). Lithiumbatterien **DÜRFEN NICHT** verwendet werden.

3. Programmierung

Die Programmierung von Mikrochips oder I.D.-Marken Ihrer Katze(n). erfolgt folgendermaßen:





- 3.1 Die PROGRAMMIERTASTE (G, Abb. 1) drücken und 5 Sekunden lang gedrückt halten, bis die LED (A) aufleuchtet. Mindestens 10 Sekunden warten.
- 3.2 Um den Mikrochip Ihrer Katze zu programmieren, müssen Sie Ihre Katze dazu bringen, langsam durch den Tunnel zu gehen. Halten Sie dazu die Klappe wie in Abb. 4 gezeigt auf, nachdem Sie sich vergewissert haben, dass die 4-Wege-Drehverriegelung (D) auf EIN & AUS steht. Zum Programmieren einer I.D.-Marke stellen Sie die Tunnelöffnung so ein, wie in Abb. 5 gezeigt.
- 3.3 Bei erfolgter Programmierung beginnt die LED zu blinken.
- 3.4 Auf die PROGRAMMIERTASTE drücken, womit Ihre Einstellung gespeichert wird.

Für weitere (bis zu maximal 30) Katzen die Schritte 3.1 bis 3.4 wiederholen.

HINWEIS: Wenn versucht wird, mehr als 30 I.D.-Marken bzw. Mikrochips zu programmieren, blinkt die LED. Sollte dies geschehen, muss eine Rücksetzung auf die WERKSSEITIGEN EINSTELLUNGEN erfolgen (siehe Abschnitt 7). Danach müssen dann alle gegenwärtig verwendeten I.D.-Marken bzw. Mikrochips erneut programmiert werden.

4. Zutrittsoptionen

Nach erfolgter Programmierung von Mikrochips/I.D.-Marken Ihrer Katze(n) sind mit der 4-Wege-Drehverriegelung folgende Zutrittsoptionen verfügbar:

-  **Ein und Aus** Die Katze(n) kann/können durch die Klappe ein- und austreten
-  **Nur Eingang** Die Katze(n) kann/können durch die Klappe eintreten, doch nicht austreten
-  **Nur Ausgang** Katze(n) kann/können durch die Klappe austreten, doch nicht eintreten
-  **Verriegelt** Katze(n) kann/können die Klappe nicht betätigen

5. Gewöhnung Ihrer Katze an die Verwendung der Katzenklappe, oder wenn sie ihre I.D.-Marke verloren hat

Ihre Katze braucht eventuell etwas Zeit, um sich an ihre neue Katzenklappe zu gewöhnen. Zur Gewöhnung Ihrer Katze an das Ein- und Ausreten durch die Katzenklappe kann diese wie folgt auf den GEWÖHNUNGS-MODUS eingestellt werden:

5.1 Eine Batterie mindestens 2 Minuten lang entfernen.

5.2 Die Batterie wieder einlegen und warten, bis die Arretierung (C) sich nach ca. 5 Sekunden absenkt.

5.3 Batterie innerhalb von 5 Sekunden vor neuerlicher Aktivierung der Verriegelung entfernen und Batteriedeckel wieder aufsetzen.

Bitte beachten Sie, dass im GEWÖHNUNGS-MODUS die Klappe auch für andere Tiere offen ist.

Zur Beendigung des GEWÖHNUNGS-MODUS alle Batterien wieder einlegen.

HINWEIS: Bei allen Katzen - insbesondere bei jungen Tieren - wird AUSDRÜCKLICH empfohlen, erst sicherzustellen, dass sie mit der Betätigung der Katzenklappe vertraut sind, bevor sie damit allein gelassen werden.

6. Auswechseln der Batterie

Wenn die LED alle 30 Sekunden blinkt, müssen Alkali-Mangan-Batterien ersetzt werden (siehe Abschnitt 2).

Hinweis: Nach dem Einlegen neuer Batterien kann es bis zu 15 Minuten dauern, bis die Warnung über den niedrigen Batterieladestatus wieder verschwindet.

7. Rücksetzen auf werksseitige Einstellungen

Zum Löschen aller programmierten Mikrochips / I.D.-Marken die PROGRAMMIERTASTE drücken und 60 Sekunden lang gedrückt halten. Nach weiteren 30 Sekunden können Mikrochips / I.D.-Marken neuerlich programmiert werden (siehe Abschnitt 3).

8. Einbauanleitung (siehe Abb. 6 bis 10)

WICHTIG:

- Die Auskleidung der Katzenklappe (B, Abb. 1) nicht beschneiden.
- Um sich zu vergewissern, dass der Mikrochip Ihrer Katze(n) richtig positioniert ist und korrekt funktioniert, empfehlen wir dringend, die Katzenklappe vor der Installation für alle Ihre Katzen zu programmieren (s. Abschnitt 3). Dann überprüfen, dass der Mikrochip Ihrer Katze die Arretierung bewirkt (C, Abb. 1), wenn der Kopf der Katze sanft auf die Klappe gedrückt wird, wie in Abb. 2 gezeigt.
- Für UPVC/Metall-Türen mit einer Dicke von über 35mm muss ein Cat Mate Katzenklappen-Adapter-Set (Ref. 361) verwendet werden.
- Bei UPVC/Metall-Türen ist es unbedingt erforderlich, nach erfolgter Montage die Katzenklappe neu abzugleichen (siehe unten).

UPVC/Metall-Türen

Türen, in denen Metallplatten eingebaut sind, können die Reichweite des Mikrochip-Lesegeräts reduzieren. Ob Metall vorhanden ist, können Sie prüfen, indem Sie ein kleines Loch in die Mitte der Stelle bohren, an der die Katzenklappe eingebaut werden soll.

Zum ordnungsgemäßen Funktionieren muss unbedingt sichergestellt werden, dass die Größe des Ausschnitts wie vorgesehen ist wird.

Für UPVC/Metall-Türen mit einer Dicke von über 35mm muss ein (separat erhältliches) Cat Mate Adapter-Set für UPVC/Metall-Türen verwendet werden.

Bei UPVC/Metall-Türen mit einer Dicke von bis zu 35mm muss wie nachfolgend bei Holztüren beschrieben vorgegangen werden.

Nach erfolgter Montage muss die Klappe mit dem Blechteil abgeglichen werden. Zu diesem Zweck 5 Sekunden lang die PROGRAMMIERTASTE (G) drücken, bis die LED (A) aufleuchtet. Nach 10 Sekunden erneut die PROGRAMMIERTASTE drücken, womit der Abgleichvorgang abgeschlossen ist.

Holztüren

8.1 Den Außenrahmen (Rahmen ohne Schwingklappe) in der gewünschten Position auf der Türfüllung platzieren und eine Linie um den Tunnelansatz ziehen, wie in Abb. 6 gezeigt. Es empfiehlt sich, dass der untere Lochrand ungefähr in gleicher Höhe wie der Bauch Ihres Haustiers ist.

8.2 Mit einer Elektro-Stichsäge 5mm **innerhalb** des gezogenen Striches die Öffnung ausschneiden. Dabei auf senkrechten Schnittverlauf achten, ganz besonders bei dickeren Türen. Sicherstellen, dass die Rahmen ohne Widerstand in den Ausschnitt passen.

8.3 Dicke der Türfüllung bestimmen.

8.4 Für Türfüllungen mit Dicke 3mm - 25mm:

8.4.1 Den Außenrahmen an der Außenseite der Tür positionieren und die vier Schraubenpositionen markieren (Abb. 7).

8.4.2 Den Rahmen entfernen und in die Füllung Durchgangslöcher mit 6mm Durchmesser sorgfältig und gerade bohren (Abb. 8).

8.4.3 Bei unter 17mm dicken Füllungen das in diesem Fall zu weit vorstehende Auskleidungsstück vom **Außenrahmen** (F) mit einer Metallsäge oder Kunststoffrennscheibe abschneiden, wie in Abb. 9 gezeigt.

8.4.4 Die Dichtung (I) am Außenrahmen anbringen. Den Außenrahmen an Außenseite der Tür positionieren. Den Innenrahmen mit 37mm Schrauben darauf festschrauben. Dann Schraubenköpfe montieren (Abb. 10 und 11).

8.5 Für Türfüllungen mit Dicke 25mm:

8.5.1 Vier Befestigungslöcher am Innenrahmen sorgfältig aufbohren, wie in Abb. 12 gezeigt. Es wird empfohlen, dazu einen 5mm Bohrer zu verwenden.

8.5.2 Die Dichtung (I) am Außenrahmen anbringen. Den Außenrahmen mit 13mm Schrauben außen an der Tür festschrauben.

8.5.3 Den Innenrahmen mit 22mm Schrauben innen an der Tür festschrauben. Dann Schraubenköpfe montieren.

Wände / Glasscheiben

Für den problemlosen Einbau ist ein Adapter-Set erforderlich. Dieses Set ist separat bei Ihrem Katzenklappen-Fachhändler oder direkt von Pet Mate erhältlich (Produkt-Ref. 361).

9. Fehlersuche

9.1 Der Mikrochip der Katze lässt sich nicht programmieren

- Der Mikrochip Ihrer Katze kann eventuell defekt oder nicht gut positioniert sein. Kontaktieren Sie bitte den Pet Mate Kundenservice, oder verwenden Sie eine Cat Mate I.D.-Marke.

9.2 Rote LED (A) blinkt

- Durch alle 30 Sekunden erfolgreiches Blinken wird angezeigt, dass Alkali-Mangan-Batterien ersetzt werden müssen.

9.3 Klappe reagiert nicht auf programmierten Mikrochip oder programmierte I.D-Marke

- Überprüfen, dass sich die Arretierung (C, Abb. 1) frei hoch und runter bewegt, wenn sich der Katzenkopf in der in Abb. 2 gezeigten Stellung befindet.
- Überprüfen Sie, dass der 4-Wege-Verschluss für den Zutritt in der gewünschten Richtung programmiert ist.
- Überprüfen, dass die I.D.-Marke, falls benutzt, korrekt am Halsband der Katze angebracht ist.
- Wenn möglich, die Funktion mit einem anderen programmierten Mikrochip bzw. einer anderen programmierten I.D.-Marke überprüfen, um eine eventuelle Fehlfunktion bei einem Mikrochip oder einer I.D.-Marke feststellen zu können.
- Bei metallenen Türfüllungen von über 35mm Dicke prüfen, dass die Katzenklappe korrekt mit dem Adapter-Set und kreisförmigem Ausschnitt eingebaut wurde.
- Bei metallenen Türfüllungen prüfen, dass die Katzenklappe nach Einbau erneut abgeglichen wurde (siehe Abschnitt 8).
- Überprüfen, dass die Batterien in der richtigen Richtung eingelegt sind und dass sie nicht verbraucht sind und daher ersetzt werden müssen (siehe Abschnitt 6).
- Überprüfen, dass die Katzenklappe in der entsprechenden Höhe montiert ist (siehe Abschnitt 8).
- Wenn all dies nichts nützt, eine Batterie herausnehmen und mindestens 1 Stunde lang warten. Batterien wieder einlegen und prüfen, ob die Klappe nun wie vorgesehen funktioniert. Falls nicht, auf die WERKSSEITIGEN EINSTELLUNGEN zurücksetzen (siehe Abschnitt 7), bevor eine Neuprogrammierung ausgeführt wird (siehe Abschnitt 3).
- Es kann sein, dass Ihre Katze einen „Low Power“-Mikrochip trägt, und die Klappe daher auf „Low Power“ eingestellt werden muss. Die Klappe ist zur Verwendung mit den allermeisten gängigen Mikrochips geeignet.

Zur Umstellung vom standardmäßigen Mikrochip-Betrieb auf Low-Power-Betrieb kontaktieren Sie bitte:

Pet Mate Kundenservice unter
+44 (0)1932 700 001
Nordamerika (936) 760 4333
oder E-Mail info@pet-mate.com


F

IMPORTANT CONSIGNES DE SECURITE

- Veuillez lire attentivement toutes les instructions avant d'installer ou d'utiliser ce produit.
- Enregistrez votre achat en ligne à l'adresse www.pet-mate.com (voir la garantie).
- Ne laissez pas les enfants jouer avec ce produit.
- Inspectez régulièrement le produit pour vous qu'il fonctionne correctement et qu'il n'est pas endommagé. Ne l'utilisez pas en cas de doute.
- Ce produit est conçu pour être uniquement utilisé avec les animaux de compagnie, comme décrit dans ces instructions.
- Le système de verrouillage de cette porte/chatière n'est pas censé être un dispositif de sécurité.
- Cette porte/chatière ne résiste pas au feu et ne doit pas être utilisée en cas de risque de propagation d'incendie.
- L'installateur de cette porte/chatière est responsable de se conformer à toutes les réglementations du bâtiment pertinentes.
- Prenez les précautions qui s'imposent pendant l'installation de cette porte/chatière. Respectez les consignes de sécurité pour tous les outils et portez un équipement de protection individuelle approprié.
- Éliminez tous les matériaux d'emballage dans le respect des lois environnementales.

REMARQUE : les sacs en plastique peuvent provoquer la suffocation - tenez-les à l'écart des enfants et des animaux.

CONSERVEZ CES INSTRUCTIONS

 Pet Mate Ltd. déclare par la présente que ce produit est conforme aux exigences essentielles et aux autres dispositions pertinentes des directives de l'UE. Toutes les déclarations de conformité peuvent être consultées à l'adresse www.pet-mate.com/eudoc.



IMPORTANT: mettez au rebut les produits endommagés/défectueux/en fin de vie en respectant les réglementations locales en vigueur dans votre pays. **UE:** reportez-vous à la section Modalités et conditions de la directive européenne relative aux déchets d'équipements électriques et électroniques (DEEE) sur www.pet-mate.com pour plus d'informations.

IMPORTANT:

- **Ne coupez jamais le tunnel de la chatière (B, fig. 1).**
- **Pour vérifier que la micropuce de votre chat est bien positionnée et fonctionne correctement, nous vous recommandons vivement de programmer la chatière pour tous vos chats avant installation (voir la section 3). Vérifiez ensuite que la puce du chat déclenche le verrou intérieur (C, Fig. 1) lorsque le chat pousse doucement sa tête contre la chatière comme illustré à la fig. 2.**
- **Pour les portes en UPVC/métal de plus de 35mm d'épaisseur, utilisez un kit adaptateur pour chatière Cat Mate (réf. 361).**
- **Pour les portes en UPVC/métal, il est indispensable de recalibrer la chatière après installation (voir la section 8).**

1. Introduction

Merci d'avoir choisi la chatière micropuce de Cat Mate.

La chatière micropuce Cat Mate permet de contrôler les allées et venues d'un maximum de 30 chats dans votre propriété. Elle vous permet également de contrôler les sorties de tous vos animaux de compagnie à l'aide d'un verrou à 4 positions.

Cette chatière convient aux modèles de puces les plus courants. Il peut également être actionnée par un disque d'identification Cat Mate (disponible séparément). Vous pourrez choisir d'utiliser un disque d'identification pour les chats ne disposant pas de puces électroniques ou au cas où la micropuce de votre chat serait défectueuse ou mal positionnée.

2. Installation des piles

2.1 Retirez le couvercle de la pile en le poussant vers le haut (voir la fig. 3).

2.2 Insérez 4 piles AA (R6), en respectant les symboles d'orientation marqués à l'intérieur du compartiment des piles. Remplacez partiellement le couvercle de la pile pour laisser le bouton « PROGRAM » (G, fig. 1) exposée pour la programmation.

2.3 La chatière effectuera un test automatique pendant un maximum de 30 secondes. La chatière sera alors prête à être programmée.

Tous les types de piles populaires peuvent être utilisés, y compris les piles rechargeables, mais l'alerte de batterie (section 6) ne fonctionnera qu'avec les piles alcalines. Les piles alcalines de bonne qualité devraient durer environ 12 mois (selon le nombre de chats et l'utilisation). L'utilisation de piles au lithium est **ABSOLUMENT PROSCRITE**.

3. Programmation

Programmez la micropuce ou le disque d'identification de votre chat comme suit :

3.1 Maintenez le bouton « PROGRAM » (G, fig. 1) enfoncé pendant 5 secondes jusqu'à ce que la diode (A) s'allume. Patientez minimum 10 secondes.

3.2 Pour programmer la micropuce de votre chat, encouragez celui-ci passer lentement à travers le tunnel en maintenant la chatière ouverte comme illustré à la fig. 4, après avoir vérifié que le verrouillage rotatif à 4 positions (D) est réglé sur « IN & OUT ».

Pour programmer un disque d'identification, placez-le dans l'ouverture du tunnel comme illustré à la fig. 5.

3.3 Une fois le système programmé, la diode clignotera.


3.4 Appuyez sur le bouton « PROGRAM » pour sauvegarder le réglage.


Si vous avez des chats supplémentaires, jusqu'à un maximum de 30, répétez les étapes 3.1 à 3.4.


REMARQUE: Si vous tentez de programmer plus de 30 disques d'identification / micropuces, la diode clignotera. Si cela se produit, effectuez une réinitialisation des réglages d'usine (« FACTORY RESET », voir la section 7) et reprogrammez les disques d'identification / puces actifs(ves).


4. Options d'accès

Une fois la (les) micropuce(s) / le(s) disque(s) d'identification de votre (vos) chat(s) programmés, les options d'accès disponibles avec le verrouillage rotatif à 4 positions sont les suivantes :

 **Entrée & sortie** Votre (vos) chat(s) peut (peuvent) maintenant entrer et sortir par la chatière

 **Entrée seulement** Vos chats peuvent entrer par la chatière mais peuvent pas sortir

 **Sortie seulement** Les chats peuvent sortir par la chatière, mais ne peuvent pas entrer

 **Verrouillée** Les chats ne peuvent pas utiliser la chatière

5. Comment habituer votre chat à utiliser la chatière ou comment faire s'il a perdu son disque d'identification

Votre chat pourra mettre quelque temps à s'habituer à sa nouvelle chatière. Pour aider votre chat à s'habituer à entrer et sortir par la chatière, cette dernière peut se régler en MODE D'ENTRAÎNEMENT comme suit :

5.1 Retirez une pile pendant au minimum de 2 minutes.

5.2 Remettez la pile en place et patientez jusqu'à ce que le verrou intérieur (C) se baisse après 5 secondes environ.

5.3 Retirez la pile dans les 5 secondes avant la réactivation du verrou et remettez le couvercle de la pile en place.

Sachez néanmoins qu'en MODE D'ENTRAÎNEMENT, votre chatière laissera également passer les autres animaux.

Pour sortir du MODE D'ENTRAÎNEMENT, réinstallez simplement toutes les piles.

REMARQUE : Nous vous recommandons de NE PAS laisser les chats, en particulier les chatons, utiliser la chatière seuls tant que vous ne serez pas absolument sûr qu'ils maîtrisent son fonctionnement.

6. Changement de la pile

Lorsque le voyant clignote toutes les 30 secondes, cela signifie qu'il est temps de remplacer les piles alcalines (voir la section 2).

Veillez noter qu'après avoir installé des piles neuves, il se peut que le témoin de piles faibles mette jusqu'à 15 minutes à disparaître.

7. Réinitialisation d'usine

Pour effacer tous les micropuces / disques d'identification programmés, maintenez le bouton « PROGRAM » enfoncé pendant 60 secondes. Après 30 secondes supplémentaires, vous pourrez reprogrammer la (les) micropuce(s) / le(s) disque(s) d'identification (voir section 3).

8. Instructions de montage (voir les figs. 6 à 10)

IMPORTANT:

- **Ne coupez jamais le tunnel de la chatière (B, fig. 1).**
- **Pour vérifier que la micropuce de votre chat est bien positionnée et fonctionne correctement, nous vous recommandons vivement de programmer la chatière pour tous vos chats avant installation (voir la section 3). Vérifiez ensuite que la puce du chat déclenche le verrou intérieur (C, Fig. 1) lorsque le chat pousse doucement sa tête contre la chatière comme illustré à la fig. 2.**
- **Pour les portes en UPVC/métal de plus de 35mm d'épaisseur, utilisez un kit adaptateur pour chatière Cat Mate (réf. 361).**
- **Pour les portes en UPVC/métal, il est indispensable de recalibrer la chatière après installation (voir ci-dessous).**

Portes en UPVC/métal

Les portes constituées de panneaux métalliques peuvent réduire la portée du lecteur de micropuce. Vous pouvez tester les panneaux métalliques en perçant un petit trou d'essai au milieu de l'emplacement prévu pour la chatière.

Pour un fonctionnement correct, il est important de veiller à découper un orifice de la taille correcte.

Pour les panneaux en UPVC/métalliques de plus de 35mm d'épaisseur, utilisez un kit d'adaptation de porte UPVC/métal Cat Mate (disponible séparément).

Pour les panneaux en UPVC/métal jusqu'à 35mm d'épaisseur, procédez comme pour les portes en bois ci-dessous.

Après le montage, vérifiez que la chatière est bien réglée pour le panneau métallique en appuyant sur le bouton « PROGRAM » (G) pendant 5 secondes jusqu'à ce que la diode (A) s'allume. Après 10 secondes, appuyez à nouveau sur le bouton « PROGRAM » pour terminer le réglage.

Portes en Bois

8.1 Placez le cadre extérieur (cadre sans le battant) dans la position désirée sur le panneau et tracez un trait autour de l'extérieur de la section du tunnel comme illustré à la fig. 6. Nous recommandons de positionner le bas du trou approximativement à la hauteur du ventre de l'animal.

8.2 Utilisez une scie sauteuse électrique pour découper 5mm à l'intérieur de la ligne tracée. Veillez à ce que le cadre soit bien perpendiculaire, surtout sur les portes d'épaisseur importante. Vérifiez que les cadres s'insèrent sans forcer dans le trou.

8.3 Déterminez l'épaisseur du panneau de porte.

8.4 Panneaux de porte de 3mm - 25mm d'épaisseur :

8.4.1 Positionnez le cadre extérieur sur l'extérieur de la porte et marquez la position des quatre vis (fig. 7).

8.4.2 Retirez le cadre et avec précaution, percez dans le panneau des trous de dégagement de 6mm destinés à accueillir les vis (fig. 8).

8.4.3 Pour les panneaux de moins de 17mm d'épaisseur, découpez l'excès de revêtement du cadre **extérieur** (F) comme illustré à la fig. 9 avec une scie à métaux ou un disque à découper le plastique.

8.4.4 Installez le joint (I) sur le cadre extérieur. Positionnez le cadre extérieur sur l'extérieur de la porte. Vissez le cadre intérieur à l'aide de vis de 37mm. Enfin, placez les caches sur les vis (fig. 10 et 11).

8.5 Panneaux de porte de 25mm d'épaisseur :

8.5.1 Percez avec précaution quatre trous dans le cadre intérieur pour permettre un dégagement étroit sur les vis (diamètre de foret recommandé : 5mm) comme illustré à la fig. 12.

8.5.2 Installez le joint (I) sur le cadre extérieur. Vissez le cadre extérieur à l'extérieur de la porte à l'aide de vis de 13mm.

8.5.3 Vissez le cadre intérieur à l'intérieur de la porte à l'aide de vis de 22mm. Enfin, placez les caches sur les vis.

Murs / panneaux en verre

Pour une installation facile, vous aurez besoin d'un kit d'adaptation disponible auprès de votre animalerie ou directement chez Pet Mate (réf. produit 361).

9. Dépannage

9.1 La micropuce du chat ne se programme pas

- Il se peut que la micropuce de votre chat soit défectueuse ou mal positionnée. Contactez le service client de Pet Mate ou utilisez un disque d'identification Cat Mate.

9.2 Diode rouge (A) clignotante

- 1 clignotement toutes les 30 secondes indique le besoin de changer les piles alcalines.

9.3 La chatière ne s'ouvre pas en réponse à une puce ou un disque d'identification programmé

- Vérifiez que le loquet (C, fig. 1) se déplace librement de haut en bas lorsque la tête du chat est placée comme illustré à la figure. 2.

- Vérifiez que le verrou à 4 positions est programmé pour permettre l'accès dans la direction souhaitée.

- Vérifiez que le disque d'identification, le cas échéant, est correctement installé sur le collier de votre chat.

- Si possible, essayez de la faire fonctionner avec une autre puce / un autre disque d'identification pour vérifier que le problème ne se situe pas au niveau de la puce / du disque.

- Pour les panneaux métalliques de plus de 35mm d'épaisseur, vérifiez que la chatière a été montée correctement avec le kit d'adaptation et la découpe circulaire.

- Pour les panneaux métalliques, vérifiez que la chatière a été recalibrée après montage (voir la section 8).

- Vérifiez que les piles soient correctement orientées et qu'elles n'aient pas besoin d'être changées (voir la section 6).

- Vérifiez que la chatière soit positionnée à la bonne hauteur (voir la section 8).

- Si tout ce qui précède échoue, retirez une pile et patientez au moins 1 heure. Remettez la pile en place et vérifiez si la chatière fonctionne correctement. Si ce n'est pas le cas, effectuez une réinitialisation d'usine (« FACTORY RESET ») (voir section 7) avant de reprogrammer (voir section 3).

- Il est possible que votre chat soit doté d'une micropuce à faible puissance et que la chatière doive être réglée en conséquence. Cette dernière est fournie pour convenir à la grande majorité des puces standard.

Pour passer d'un réglage standard de la micropuce à un réglage faible puissance, veuillez contacter :

**le service client de Pet Mate au
+44 (0)1932 700 001**

**Amérique du Nord (936) 760 4333
ou par email info@pet-mate.com**



INSTRUCCIONES IMPORTANTES DE SEGURIDAD

- Lea todas las instrucciones antes de instalar o utilizar este producto.
- Registre su compra en línea en www.pet-mate.com (consulte la garantía).
- No permita jugar a los niños con este producto.
- Inspeccione el producto regularmente para observar que funciona correctamente y no hay daños. No lo utilice si tiene dudas.
- Este producto se ha diseñado para el uso con mascotas exclusivamente, como se describe en estas instrucciones.
- El sistema de cierre de esta gatera no se ha diseñado como dispositivo de seguridad.
- Esta gatera no es resistente al fuego y no se deberá utilizar en lugares donde exista el riesgo de propagación de fuego.
- El instalador de esta gatera es responsable de cumplir todos los reglamentos de construcción oportunos.
- Durante la instalación de esta gatera, tome las precauciones apropiadas. Siga las instrucciones de seguridad de todas las herramientas y utilice equipo apropiado de protección personal.
- Elimine apropiadamente todo el material de embalaje. *NOTA: Las bolsas de plástico pueden causar asfixia - manténgalas alejadas de los niños y los animales.*

CONSERVE ESTAS INSTRUCCIONES



Por el presente, Pet Mate Ltd. declara que este producto cumple los requisitos esenciales y demás provisiones oportunas de las Directivas UE. Todas las Declaraciones de Conformidad (DoC) pueden verse en www.pet-mate.com/eudoc.



IMPORTANTE: Elimine los productos dañados/defectuosos/gastados en conformidad con los reglamentos locales aplicables en su país. **UE:** Para más información, consulte la sección de Términos y Condiciones, Directiva sobre Residuos de Aparatos Eléctricos y Electrónicos (RAEE) en www.pet-mate.com.

IMPORTANTE:

- **No corte el túnel de la gatera (B, Fig. 1).**
- **Para comprobar que el microchip de su gato esté colocado y funcione correctamente, le recomendamos que programe la gatera para todos sus gatos antes de instalarla (véase la Sección 3). A continuación, compruebe que el microchip del gato activa el pestillo (C, Fig. 1) cuando la cabeza del gato se empuja suavemente contra la gatera, como se muestra en la Fig. 2.**
- **Para las puertas de UPVC/metal más gruesas que 35mm, utilice un kit adaptador de gatera Cat Mate (Ref. 361).**
- **Con las puertas de UPVC/metal, es esencial resintonizar la gatera después de su instalación (véase la Sección 8).**

1. Introducción

Gracias por elegir la gatera de microchip Cat Mate.

La gatera de microchip Cat Mate permite la entrada de hasta 30 gatos en su vivienda. También le permite controlar la salida de todas sus mascotas utilizando un cerrojo de 4 direcciones.

Esta gatera es apta para todos los microchips comunes. Alternativamente, puede activarse mediante un disco de I.D. de Cat Mate (disponible por separado). Podría preferir el uso de un disco de I.D. con gatos que no tengan microchip, o si el microchip del gato es defectuoso o está colocado en mala posición.

2. Instalación de las pilas

- 2.1 Quite la cubierta de las pilas empujándola hacia arriba (véase la Fig. 3).
- 2.2 Insertar 4 pilas AA (R6) según los símbolos de orientación marcados adentro del compartimiento de las pilas. Recoloque parcialmente la cubierta de las pilas dejando expuesto el botón PROGRAM (G, Fig. 1) para la programación.
- 2.3 La gatera se autocomprobará durante 30 segundos como máximo. La gatera estará lista para programar.

Pueden utilizarse todos los tipos habituales de pilas, incluyendo pilas recargables, pero el aviso de pilas (Sección 6) solo funcionará correctamente con las pilas alcalinas. Las pilas alcalinas de buena calidad durarán 12 meses aproximadamente (dependiendo del número de gatos y del uso). **NO DEBERÁ** utilizar pilas de litio.

3. Programación

Programa el microchip o disco(s) de I.D. de su gato de la siguiente manera:





- 3.1 Pulse y sujete el botón PROGRAM (G, Fig. 1) durante 5 segundos hasta que se ilumine el LED (A). Espere 10 segundos como mínimo.
- 3.2 Para programar el microchip de su gato, anímelo a pasar lentamente por el túnel mientras sostiene la gatera abierta como se muestra en la Fig. 4 después de comprobar que el cerrojo rotativo de 4 posiciones (D) esté en la posición Entrar y Salir. Para programar un disco de I.D., colóquelo en la apertura del túnel como se muestra en la Fig. 5.
- 3.3 El LED destellará cuando esté programado.
- 3.4 Pulse el botón PROGRAM para guardar el ajuste.

Para gatos adicionales, hasta un máximo de 30, repita los pasos 3.1 a 3.4.

NOTA: El LED destellará si intenta programar más de 30 discos de I.D. / microchips. Si esto ocurre, realice un REAJUSTE DE FÁBRICA (Sección 7) y re programe los discos de I.D./microchips que se estén utilizando.

4. Opciones de acceso

Una vez que haya programado el/los microchip(s) / disco(s) de I.D. de su gato(s), las opciones de acceso disponibles con el cerrojo rotativo de 4 posiciones serán:

- | | | |
|---|--------------------------|--|
|  | Entrar y Salir | Su gato(s) podrá entrar y salir por la hoja |
|  | Entrada Solamente | Su gato(s) podrá entrar a través de la hoja, pero no salir a través de la hoja |
|  | Salida Solamente | El gato(s) puede salir por la gatera pero no puede entrar por la gatera |
|  | Cerrada | El gato(s) no puede utilizar la gatera |

5. Entrenamiento de su gato para utilizar la gatera o si el gato ha perdido su disco de I.D.

Puede que su gato necesite un poco de tiempo para acostumbrarse a su nueva gatera. Para ayudar a su gato a acostumbrarse a entrar y salir por la gatera, ésta podrá ajustarse al MODO ENTRENAMIENTO de la siguiente manera:

5.1 Retire una pila durante un mínimo de 2 minutos.

5.2 Vuelva a colocar la pila y espere hasta que el cerrojo interior (C) baje después de 5 segundos.

5.3 Retire la pila en un plazo de 5 segundos antes de que el cerrojo se reactive, y vuelva a colocar la cubierta de las pilas.

Por favor, observe que en el MODO ENTRENAMIENTO su gatera permitirá la entrada de otros animales.

Para salir del MODO ENTRENAMIENTO, solo tiene que volver a reinstalar todas las pilas.

NOTA: NO recomendamos dejar solos a los gatos, particularmente a los cachorros, cuando utilicen la gatera, hasta que Vd. se sienta satisfecho de que están completamente familiarizados con su operación.

6. Cambio de las pilas

Cuando el LED destelle cada 30 segundos, se deberán cambiar las pilas alcalinas (véase la Sección 2).

Observe que, después de instalar pilas nuevas, el aviso de pila podría tardar hasta 15 minutos en desaparecer.

7. Reajuste de fábrica

Para borrar todos los microchip(s) / discos de I.D. programados, pulse y sujete el botón PROGRAM durante 60 segundos. Después de transcurridos otros 30 segundos, podrá reprogramar los microchip(s) / discos de I.D. (véase la Sección 3).

8. Instrucciones de Instalación (véase los Figs. 6 a 10)

IMPORTANTE:

- **No corte el túnel de la gatera (B, Fig. 1).**
- **Para comprobar que el microchip de su gato esté colocado y funcione correctamente, le recomendamos que programe la gatera para todos sus gatos antes de instalarla (véase la Sección 3). A continuación, compruebe que el microchip del gato activa el pestillo (C, Fig. 1) cuando la cabeza del gato se empuja suavemente contra la gatera, como se muestra en la Fig. 2.**
- **Para las puertas de UPVC/metal más gruesas que 35mm, utilice un kit adaptador de gatera Cat Mate (Ref. 361).**
- **Con las puertas de UPVC/metal, es esencial resintonizar la gatera después de su instalación (véase abajo).**

Puertas de UPVC/metal

Las puertas construidas con paneles metálicos pueden reducir el alcance del lector de microchip. Puede probar si existen paneles metálicos al perforar un orificio de prueba pequeño en el medio de la ubicación prevista para la gatera.

Para una operación correcta, es importante asegurar que el tamaño del corte sea correcto.

Para los paneles de UPVC/metal de más de 35mm de grosor, utilice un Kit Adaptador para Puerta de UPVC/Metal Cat Mate (disponible por separado).

Para los paneles de UPVC/metal de hasta 35mm de grosor, proceda según se indica a continuación para las puertas de madera.

Después de la instalación, asegúrese de que la gatera esté sintonizada con el panel de metal pulsando el botón 'PROGRAM' (G) durante 5 segundos, hasta que el LED (A) se encienda. Después de 10 segundos, vuelva a pulsar el botón 'PROGRAM' para finalizar la resintonización.

Puertas de madera

8.1 Coloque el marco exterior (marco sin la compuerta oscilante) en la posición deseada del panel y dibuje una línea alrededor del exterior de la sección del túnel, como se muestra en la Fig. 6. Recomendamos que la parte inferior del orificio quede nivelada aproximadamente con el estómago de su animal.

8.2 Utilice una sierra de vaivén eléctrica para cortar 5mm **por dentro** de la línea dibujada. Tenga cuidado de cortar el orificio en escuadra con la puerta, particularmente en las puertas más gruesas. Asegúrese de que los marcos penetren fácilmente en el orificio.

8.3 Determine el grosor del panel de la puerta.

8.4 Para paneles de puerta de 3mm - 25mm de grosor:

8.4.1 Coloque el marco exterior afuera de la puerta y marque las posiciones de cuatro tornillos (Fig. 7).

8.4.2 Retire el marco y, con cuidado, perforo agujeros de paso para tornillos en escuadra con el panel de 6mm de diámetro (Fig. 8).

8.4.3 Para paneles de menos de 17mm de grosor, corte con cuidado el exceso de garnición del marco **exterior** (F), como se muestra en la Fig. 9, con una sierra de arco o disco de corte de plástico.

8.4.4 Instale el burlete (I) en el marco exterior. Coloque el marco exterior afuera de la puerta. Atornille el marco interior a éste, utilizando tornillos de 37mm. Finalmente, coloque las tapas de los tornillos (Fig. 10 y 11).

8.5 Para paneles de puerta de 25mm de grosor:

8.5.1 Con cuidado, perforo cuatro agujeros en el marco interior para permitir un paso justo a los tornillos (se recomienda perforar 5mm de diámetro), como se muestra en la Fig. 12.

8.5.2 Instale el burlete (I) en el marco exterior. Atornille el marco exterior afuera de la puerta utilizando tornillos de 13mm.

8.5.3 Atornille el marco interior dentro de la puerta utilizando tornillos de 22mm. Finalmente, coloque las tapas de los tornillos.

Paredes / paneles cristal

Para instalar con facilidad, necesitará un kit adaptador que podrá obtener del proveedor de su gatera, o directamente de Pet Mate (Ref. Producto 361).

9. Resolución de problemas

9.1 El microchip del gato no se programa

- Es posible que el microchip de su gato sea defectuoso o esté mal colocado. Póngase en contacto con Servicio al Cliente de Pet Mate o instale un disco de I.D. Cat Mate.

9.2 LED rojo (A) destella

- 1 pulsación cada 30 segundos indica la necesidad de cambiar las pilas alcalinas.

9.3 La gatera no se abre en respuesta al microchip o disco de I.D. programado

- Compruebe que el pestillo (C, Fig. 1) se mueva libremente hacia arriba y hacia abajo con la cabeza del gato en la posición de la Fig. 2.
- Compruebe que el cerrojo '4 WAY' esté programado para permitir el acceso en la dirección elegida.
- Compruebe que el disco de I.D., si se utiliza, esté colocado correctamente en el collar del gato.
- Si fuera posible, intente la operación con otro microchip / disco de I.D. programado para descubrir si existe un fallo con un microchip / disco de I.D. particular.
- Para los paneles metálicos de más de 35mm de espesor, compruebe que la gatera se haya instalado correctamente con el kit adaptador y corte circular.
- Para los paneles metálicos compruebe que se haya resintonizado la gatera después de la instalación (véase la Sección 8).
- Compruebe que las pilas están colocadas correctamente y que no necesitan recambio (véase la Sección 6).
- Compruebe que la gatera está montada a la altura correcta (véase la Sección 8).
- Si lo anterior no funcionara, retire una pila y espere 1 hora como mínimo. Reinstale la pila y compruebe si la gatera funciona correctamente. En caso negativo, realice un 'REAJUSTE DE FÁBRICA' (véase la Sección 7) antes de reprogramar (véase la Sección 3).
- Es posible que su gato tenga un microchip de 'baja potencia' (low power), en cuyo caso la gatera requerirá ser ajustada a baja potencia. La gatera se suministra para que se adapte a la mayoría de los microchips estándar.

Para cambiar el ajuste de microchip estándar al ajuste de baja potencia, por favor, póngase en contacto con:

Servicio al cliente de Pet Mate en

+44 (0)1932 700 001

América del Norte (936) 760 4333

o por correo electrónico info@pet-mate.com

NL

BELANGRIJK! VEILIGHEIDSLINSTRUCTIES

- Lees alle instructies voor of bij het product van dit product.
- Registreer uw aankoop online bij www.pet-mate.com (zie garantie).
- Kinderen niet met dit product laten spelen.
- Inspecteer het product regelmatig op correcte werking en eventuele beschadiging. Bij twijfel niet gebruiken.
- Dit product is uitsluitend ontworpen voor gebruik met huisdieren, zoals beschreven in deze instructies.
- Het sluitsysteem van dit huisdierendeur is niet bedoeld als beveiliging.
- Dit huisdierendeur is niet brandwerend en mag niet worden gebruikt als er risico bestaat van branduitbreiding.
- Bij de installatie van dit huisdierendeur is men verantwoordelijk voor de naleving van alle relevante bouwvoorschriften.
- Neem passende maatregelen bij de installatie van dit huisdierendeur. Volg veiligheidsinstructies voor alle gereedschappen en draag geschikte persoonlijke beschermingsmiddelen.
- Verwijder al het verpakkingsmateriaal op de juiste wijze. *NB: Houd plastic zakken uit de buurt van kinderen en dieren om verstikkingsgevaar te vermijden.*

BEWAAR DEZE INSTRUCTIES

 Hierbij verklaart Pet Mate Ltd. dat dit product voldoet aan de essentiële eisen en overige relevante voorschriften van EU Richtlijnen. Alle verklaringen van overeenstemming (DoC) zijn te lezen op www.pet-mate.com/eudoc.



BELANGRIJK! Beschadigde/defecte/afgedankte producten afvoeren in overeenstemming met de lokaal geldende voorschriften van uw land. **EU:** Voor aanvullende informatie kunt u de paragraaf met Richtlijnen voor Afgedankte Elektrische en Elektronische Apparatuur in de Algemene Voorwaarden van de EU (AEEA) op www.pet-mate.com raadplegen.

BELANGRIJK!:

- **Tunnel van kattendeur (B, afb. 1) niet afsnijden.**
- **Wij raden u sterk aan om de kattendeur bij al uw katten voor de installatie al te programmeren om te controleren of de microchip bij uw katten goed geplaatst is en goed werkt (zie paragraaf 3.) Controleer vervolgens dat de microchip van de kat het slot bedient (C, afb. 1) als de kop van de kat zachtjes tegen de kattendeur wordt geduwd, zoals in afb. 2 getoond.**
- **Gebruik voor UPVC- / metalen deuren die dikker dan 35mm zijn een Cat Mate Cat Flap Adapter Kit (Ref. 361).**
- **Voor UPVC- / metalen deuren is het essentieel om de kattendeur na het aanbrengen ervan opnieuw af te stemmen (zie sectie 8).**

1. Introductie

Proficiat met de aankoop van de Cat Mate Microchip Kattendeur.

Met de Cat Mate Microchip Kattendeur kunnen maximaal 30 katten uw huis binnengaan. Met gebruik van het draaislot met 4 standen kunt u er bovendien mee regelen wanneer al uw huisdieren naar buiten gaan.

Deze kattendeur is geschikt voor alle gangbare microchips. Overigens werkt deze ook met een Cat Mate I.D. Disc (los verkrijgbaar). Misschien wilt u een I.D. disc voor katten zonder microchip gebruiken of als de microchip van uw katten defect is of verkeerd is ingezet.

2. Het plaatsen van de batterijen

2.1 Verwijder de batterijafdekplaat door hem omhoog te drukken (zie afb. 3).

2.2 4 x AA (R6) batterijen inzetten waarbij men moet letten op de richtingspijltes aan de binnenkant van het batterijencompartiment. Breng het batterijdeksel gedeeltelijk opnieuw aan, maar laat de knop PROGRAM (G, afb. 1) vrij om te kunnen programmeren.

2.3 De kattendeur controleert de eerste 30 seconden. De kattendeur kan nu geprogrammeerd worden.

Alle bekende batterijen kunnen gebruikt worden, inclusief oplaadbare batterijen, maar het waarschuwinglampje van de batterij (sectie 6) werkt goed uitsluitend met alkaline batterijen. Alkaline batterijen van goede kwaliteit zullen ongeveer 12 maanden meegaan (afhankelijk van het aantal katten en gebruik). U **MAG GEEN** lithium batterijen gebruiken.

3. Programmering

Programmeer de microchip van uw kat of I.D. disc(s) als volgt:

3.1 Houdt de programmeerknop PROGRAM (G, afb. 1) gedurende 5 seconden ingedrukt totdat het LED lampje (A) gaat branden. Wacht minstens 10 seconden.

3.2 Als u de microchip van uw kat wilt programmeren, laat u kat dan langzaam door de tunnel lopen door de flap open te houden zoals aangegeven in afb. 4 nadat u gekeken heeft of het draaislot met 4 standen (D) op IN & UIT staat. Programmeer een I.D. disc door deze in de toegang van de tunnel te leggen zoals in afb. 5.

3.3 Als deze geprogrammeerd is, gaat het LED lampje knipperen.





3.4 Druk de PROGRAM knop in om de instelling op te slaan.

Voor extra katten, tot maximaal 30, stappen 3.1 t/m 3.4 herhalen.

N.B. - Als u probeert om meer dan 30 I.D. discs / microchips te programmeren, gaat het LED lampje knipperen. Mocht dit gebeuren, voer dan een FACTORY RESET (sectie 7) uit en herprogrammeer I.D. discs / microchips die al in gebruik zijn.

4. Toegangsmogelijkheden

Als de microchip(s) / I.D. disc(s) geprogrammeerd zijn, biedt de draaiknop met vier standen de volgende toegangsmogelijkheden:

- | | | |
|--|-----------------------|--|
|  | In en uit | <i>Uw kat(ten) kan/kunnen door de kattendeur naar binnen en naar buiten</i> |
|  | Alleen toegang | <i>Uw kat(ten) kan/kunnen door de kattendeur naar binnen maar niet naar buitengaas</i> |
|  | Alleen uitgang | <i>Kat(ten) kunnen door de kattendeur wel naar buiten maar niet naar binnen</i> |
|  | Gesloten | <i>Kat(ten) kunnen door de kattendeur niet gebruiken</i> |

5. Uw kat leren de kattendeur te gebruiken of als uw kat zijn I.D. disc heeft verloren

Het kan enige tijd duren voor uw kat gewend raakt aan de nieuwe kattendeur. Om uw kat te laten wennen aan het in- en uitgaan van de deur, kan de deur als volgt in TRAINING MODE (oefenstand) gezet worden:

5.1 Verwijder één batterij voor minimaal 2 minuten.

5.2 Zet batterij terug en wacht tot het slot (C) na ongeveer 5 seconden omlaag valt.

5.3 Verwijder de batterij binnen 5 seconden voordat het slot opnieuw wordt geactiveerd en herplaats batterijdeksel.

Bedenk wel dat de kattendeur in TRAINING MODE ook andere dieren kan binnen laten.

TRAINING MODE (oefenstand) schakelt uit door alle batterijen te herplaatsen.

N.B. - het is niet verstandig om katten en met name jonge katten alleen te laten bij gebruik van een nieuwe kattendeur zolang u er niet van overtuigd bent dat ze ermee vertrouwd zijn.

6. Vervangen van batterijen

Als het LED-lampje om de 30 seconden knippert, moeten de alkalinebatterijen worden vervangen (zie sectie 2).

Let wel dat het na plaatsing van nieuwe batterijen 15 minuten kan duren voordat het waarschuwinglampje uitgaat.

7. Fabrieksinstellingen terug zetten

Om alle geprogrammeerde microchip(s) / I.D. disc(s) te wissen, programmeerknop PROGRAM 60 seconden ingedrukt houden. Na nog eens 30 seconden kunt u de microchip(s) / I.D. disc(s) (zie sectie 3) herprogrammeren.

8. Montage Instructies (zie afb. 6 t/m 10)

BELANGRIJK!:

- Tunnel van kattendeur (B, afb. 1) niet afsnijden.
- Wij raden u sterk aan om de kattendeur bij al uw katten voor de installatie al te programmeren om te controleren of de microchip bij uw katten goed geplaatst is en goed werkt (zie paragraaf 3.) Controleer vervolgens dat de microchip van de kat het slot bedient (C, afb. 1) als de kop van de kat zachtjes tegen de kattendeur wordt geduwd, zoals in afb. 2 getoond.
- Gebruik voor UPVC- / metalen deuren die dikker dan 35mm zijn een Cat Mate Cat Flap Adapter Kit (Ref. 361).
- Voor UPVC- / metalen deuren is het essentieel om de kattendeur na het aanbrengen ervan opnieuw af te stemmen (zie hieronder).

UPVC- / metalen deuren

Deuren voorzien van metalen panelen kunnen het bereik van de lezer van de microchip verminderen. Bij metalen panelen kunt u een proefje doen door een klein gaatje te boren in het midden van de plek waar de kattendeur moet komen.

Voor de juiste bediening is het belangrijk om ervoor te zorgen dat de juiste opening is gezaagd.

Gebruik voor UPVC/metalen panelen dikker dan 35mm een Cat Mate Adapterkit voor UPVC/Metalen Deuren (los verkrijgbaar).

Volg voor UPVC/metalen panelen tot 35mm dikte de onderstaande instructies voor houten deuren.

Zorg na de bevestiging dat de deur op het metalen paneel afgestemd is door 5 seconden op de programmeerknop PROGRAM (G) te drukken totdat het LED lampje (A) gaat branden. Na 10 seconden nogmaals op de programmeerknop PROGRAM drukken om het opnieuw afstemmen te voltooien.

Houten deuren

8.1 Zet het buitenframe (raamwerk zonder heen-en-weer flap) in de gewenste stand tegen het paneel en teken om de buitenkant van het tunnel gedeelte zoals weergegeven in afb. 6. Wij raden u aan dit zo te doen dat de onderkant van de opening zich op buikhoogte van uw huisdier bevindt.

8.2 Gebruik een elektrische decoupeerzaag om 5mm **binnen** de getekende lijn te zagen. Let er goed op dat u de opening recht op de deur uitzaaigt; dit is vooral belangrijk bij een wat dikkere deur. Zorg dat de ramen ruim in de opening passen.

8.3 Bepaal dikte van deurpaneel.

8.4 Voor panelen van 3mm - 25mm dik:

8.4.1 Zet het buitenframe tegen de buitenkant van de deur en markeer de vier plaatsen van de schroeven (afb. 7).

8.4.2 Haal het frame eraf en boor voorzichtig schroefgaten haaks op het paneel met een doorsnee van 6mm (afb. 8).

8.4.3 Zaag bij panelen met een dikte van minder dan 17mm de overtollige voering aan het **buitenframe** (F) (zie afb. 9) voorzichtig met een ijzerzaag of plastic doorslijpschijf af.

8.4.4 Bevestig sluitring (I) aan buitenkant frame. Plaats buitenframe aan buitenkant deur. Schroef binnenframe eraan vast met behulp van 37mm schroeven. Bevestig schroefdopjes (afb. 10 en 11).

8.5 Voor deurpanelen van meer dan 25mm dik:

8.5.1 Boor voorzichtig vier gaten in het binnenframe zodat de schroeven strak zitten (aanbevolen diameter van boor 5mm) zoals weergegeven in afb. 12.

8.5.2 Bevestig sluitring (I) aan buitenkant frame. Schroef buitenframe met behulp van 13mm schroeven aan buitenkant deur.

8.5.3 Schroef binnenframe met behulp van 22mm schroeven aan binnenkant deur. Bevestig schroefdopjes.

Muren / Glazen panelen

Voor een eenvoudige installatie heeft u een adapterkit nodig die verkrijgbaar is bij uw leverancier van kattendeuren of rechtstreeks bij Pet Mate (Artikelnr. 361).

9. Troubleshooting

9.1 De microchip van de kat kan niet worden geprogrammeerd

- De microchip van uw kat is misschien defect of slecht gepositioneerd. Neem contact op met de klantenservice van Pet Mate of bevestig een I.D. Disc van Cat Mate aan de halsband van de kat.

9.2 Rood LED lampje (A) knippert

- Als lampje om de 30 seconden 1 keer knippert moeten de alkaline batterijen worden vervangen.

9.3 De kattendeur reageert niet op de geprogrammeerde microchip of I.D. disc en gaat niet open

- Controleer of het grendeltje (C, afb. 1) ongehinderd op en neer gaat als de kop van de kat overeenkomstig afb. 2 staat.

- Controleer of de 4-voudige vergrendeling zo is afgesteld dat toegang in de gewenste richting mogelijk is.

- Controleer of de I.D. disc, als deze gebruikt wordt, goed aan de halsband van de kat bevestigd is.

- Kijk zo mogelijk of hij werkt met een andere geprogrammeerde microchip / I.D. disc om te zien of er een probleem is met een bepaalde microchip / I.D. disc.

- Bij metalen panelen met een dikte van meer dan 35mm even controleren of de kattendeur met behulp van de adapterkit en de ronde uitsparing juist gemonteerd is.

- Bij metalen panelen even controleren of de kattendeur na de montage opnieuw is afgestemd (zie sectie 8).

- Controleer of de batterijen goed in de houder zitten of wel vervangen moeten worden (zie sectie 6).

- Controleer of de kattendeur op de goede hoogte is gemonteerd (zie sectie 8).

- Als al het bovenstaande niet is gelukt, één batterij verwijderen en minstens 1 uur wachten. Batterij herplaatsen en dan controleren of deur goed werkt. Mocht dit niet het geval zijn FACTORY RESET (fabrieksinstellingen terugzetten) (zie sectie 7) uitvoeren alvorens te herprogrammeren (zie sectie 3).

- Het is mogelijk dat uw kat een 'laagvermogen' microchip heeft en dat het luik moet worden ingesteld op laagvermogen. Het kattendeur werkt goed met het overgrote deel van de standaardmicrochips.

Als u de instelling wilt wijzigen van standaardvermogen naar laagvermogen, neem dan contact op met:

Klantenservice van Pet Mate

+44 (0)1932 700 001

N Amerika (936) 760 4333

of per e-mail info@pet-mate.com